

TROUBLE SHOOTING

SR. NO.	PROBLEM	REASON	ACTION
1.	Flow is less	<ul style="list-style-type: none"> System pressure is low. Inlet/Outlet passages are blocked. 	<ul style="list-style-type: none"> Check system pressure. Remove cartridge and inspect. Check/clean obstruction in the inlet passages of body and cartridge. Clean aerator of the connected spout and also the shower head nozzles.
2.	Cold water only	<ul style="list-style-type: none"> Hot Water temperature too low. Hot Water line Pressure low. 	<ul style="list-style-type: none"> Check the heating system. Use NRV in Hot Water line.
3.	Leakage from lever end	<ul style="list-style-type: none"> Cartridge lock nut Part No.6 is loose. Cartridge Seat Rubber 'O' Part No.2 is dirty/damaged. Ceramic discs of cartridge worn out and damaged due to impurities. 	<ul style="list-style-type: none"> Tighten lock nut. Clean/Replace Seat Rubber 'O' Part No.2. Replace cartridge Part No.3.
4.	Leakage from Tip Ton side	<ul style="list-style-type: none"> Leakage along the Tip Ton spindle. Leakage from spout side when shower is working. Leakage from shower side when spout is working. Leakage from Tip Ton Bonnet Part No. 21. 	<ul style="list-style-type: none"> Replace Tip Ton Bonnet Bockey Washer Part No.18. Replace tip ton seat washer Part No. 15. Check/Replace Bonnet Lower 'O' Ring Part No. 19 and Tip Ton Seat Washer Part No. 15. Replace Bonnet Upper 'O' Ring Part No. 20. Check / Tighten Bonnet Part No. 21.

Ver. 2020 Designed & Printed by ANIL VERMA GRAPHICS W-1 94170 3641

USER GUIDE



Excellence on Tap



 5895 - Opera <input type="checkbox"/>	 50805 - Cronos <input type="checkbox"/>	 481005 - Pegasus Neo <input type="checkbox"/>
 3805 - Qube Neo <input type="checkbox"/>	 411005 - Qubit <input type="checkbox"/>	 441005 - Athena <input type="checkbox"/>
 8405 - Beryl <input type="checkbox"/>	 491005 - Typhon <input type="checkbox"/>	 75005 - Vesta <input type="checkbox"/>



Brand Owned By
Khanna Industries

REGD. USER

CRYSTAL SANITARY FITTINGS PVT. LTD.

An ISO 9001 : 2015 Certified Company

CORP. OFF. : 72, INDUSTRIAL AREA, PHASE-I, PANCHKULA-134113 (HARYANA) INDIA

PHONE : 0172-4378800-810 CUSTOMER CARE : 0172-4378821

COMMERCIAL ENQUIRY : 0172-4378822 TOLL FREE : 1800 137 0072

E-MAIL : info@crystalfaucets.com WEBSITE : www.crystalfaucets.com



ARK RUBINETTERIE

Follow us on [f](#) crystalsanitaryfittings [t](#) #ark_crystal [y](#) arksanitaryfittings [i](#) crystalsanitaryfittings

SINGLE LEVER HIGH FLOW DIVERTER 46 mm

ABOUT

The Single lever Diverter is an integral concealed mixer body which houses both the Single Lever Mixer and Diverter. It is required to divert hot and cold mixed water to the overhead shower or spout and will have two inlets for hot and cold water and two outlets for the shower and spout connections. Other Bathing concepts can also be created with outlets connected to leading to Shower Rail, Body Jets or Ceiling Showers.

The body of the Diverter is a concealed part and will go inside the wall with piping during the construction stage. The other parts i.e. the Lever and Flange are exposed parts which are fixed after the tile work gets completed. For maintaining the aesthetics of the bathing area matching Diverter Lever Knobs & Cover Plate have to be selected so that it matches with the other faucets of the bathroom.

In case we choose to select the faucet designs after the whole bathroom gets completed we can do so having an option of buying the external parts later. This is because for most of the designs the external will fit in the concealed part which has been fixed during construction.

The selection of model has to be done very carefully keeping in mind the available supply pressure and flow rate required.

The size and flow rating of the diverter is determined by the size of the cartridge as various models in sizes 40 mm and 46 mm are available.

The availability of good water pressure is a prerequisite whenever we choose to install single lever diverters as pressure drop is experienced in single lever cartridge. It is preferred to have a booster pump installed in case the available pressure is low.

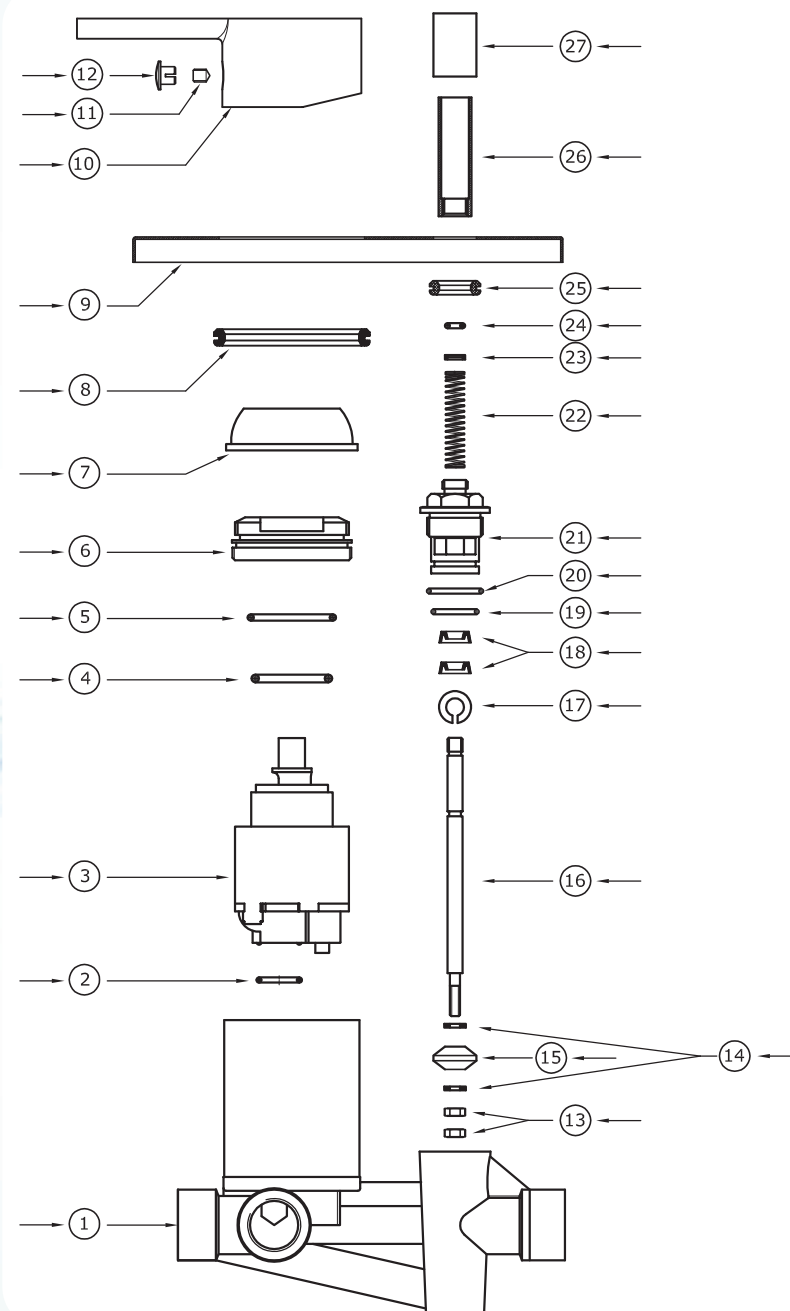
KITS

Cat. No	Concealed Kit Cat. No.	Exposed Kit Cat. No.
5895- Opera	K8302	K8305P - Opera
3805- Qube		K8303P - Qube
8405 - Beryl		K8306 - Beryl
50805 - Cronos		K8305 - Cronos
411005 - Qubit		K8303 - Qubit
491005 - Typhon		K8308 - Typhon
481005 - Pegasus		K8304 - Pegasus
441005 - Athena		K8307 - Athena
75005 - Vesta	K8310 - Vesta	

SPECIFICATIONS

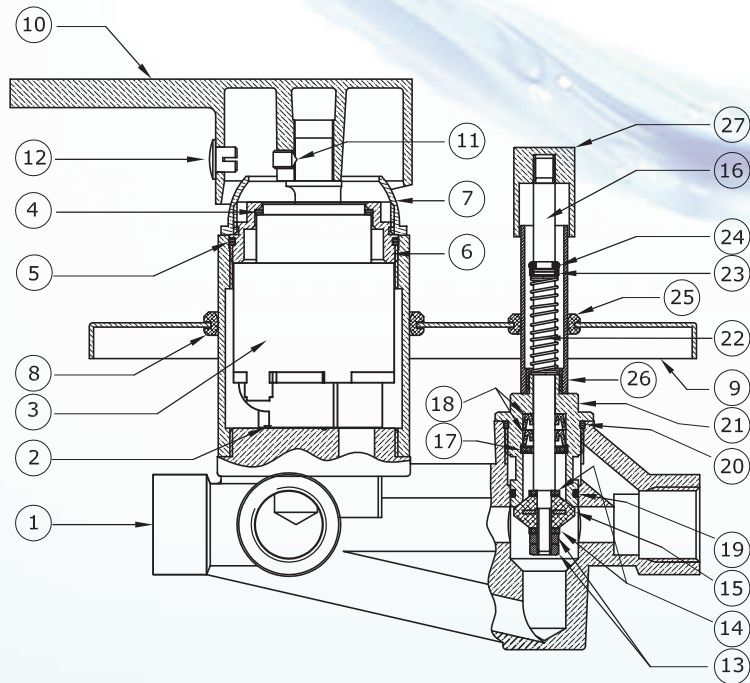
Cat. No	Size of Cartridge	Rated Flow Bar - LPM	Flange Adjustment (Min - Max)
5895- Opera	46 mm	0.5 - 14	Min - 29 mm
3805- Qube		1.0 - 20	Max - 58 mm
8405 - Beryl		2.0 - 27	
50805 - Cronos		3.0 - 33	
411005 - Qubit		4.0 - 39	
491005 - Typhon		5.0 - 43	
481005 - Pegasus			
441005 - Athena			
75005 - Vesta			

COMPOSITION



S.No	Part Name	Cat.No.	S.No	Part Name	Cat.No.
1	Body S/L Concealed Divertor 46mm High Flow	02517	10 H	Handle - 441005 - Athena	02368
2	Twin Seat Rubber 'O' Ring Ø14 x 2mm	02518	11	Grub Screw M5	02240
3	S/L Cartridge 46mm	02307	12	Plastic Cover for Grub Screw	02521
4	Top Lock Nut Rubber 'O' Ring Ø28 x 2.5mm	02514	13	Hex Nut M4 (2 pcs.)	00589
5	Bottom Lock Nut Rubber 'O' Ring Ø35 x 2.5mm	02515	14	Nylon Washer to guide Tip-Ton Seat Washer (2 pcs.)	02522
6	Lock Nut for Cartridge	02519	15	Tip-Ton Seat Washer (Silicon)	02500
7	Dome Cap for Lock Nut	02520	16	Tip-Ton Rod (Brass)	02523
8	Flange Rubber Bush Big	02513	17	Nylon Washer to Lock Tip-Ton Bonnet Bocky Washer	02524
9 A	Divertor Round Flange for 5895, 8405, 50805, 481005, 441005	02532	18	Bonnet Bocky Washer (2 pcs.)	02525
9 B	Divertor Cube Flange for 3805, 411005	02533	19	Bonnet Lower Rubber 'O' Ring 17.5 x 2.5mm	00535
9 C	Divertor Typhon Flange for 491005	02481	20	Bonnet Upper Rubber 'O' Ring 14.5 x 2mm	00579
10 A	Handle - 5895 - Opera	01826	21	Tip-Ton Bonnet Body	02526
10 B	Handle - 3805 - Qube	01825	22	Tip-Ton Spring	02527
10 C	Handle - 8405 - Beryl	02052	23	Tip-Ton Spring Guide Washer (Nylon)	02528
10 D	Handle - 50805 - Cronos	02540	24	Tip-Ton Spring Lock Rubber 'O' Ring Ø4 x 2mm	02529
10 E	Handle - 411005 - Qubit	02541	25	Flange Rubber Bush Small	02512
10 F	Handle - 491005 - Typhon	02476	26	Tip-Ton Rod Sleeve	02530
10 G	Handle - 481005 - Pegasus	02534	27	Tip-Ton Top Button	02531

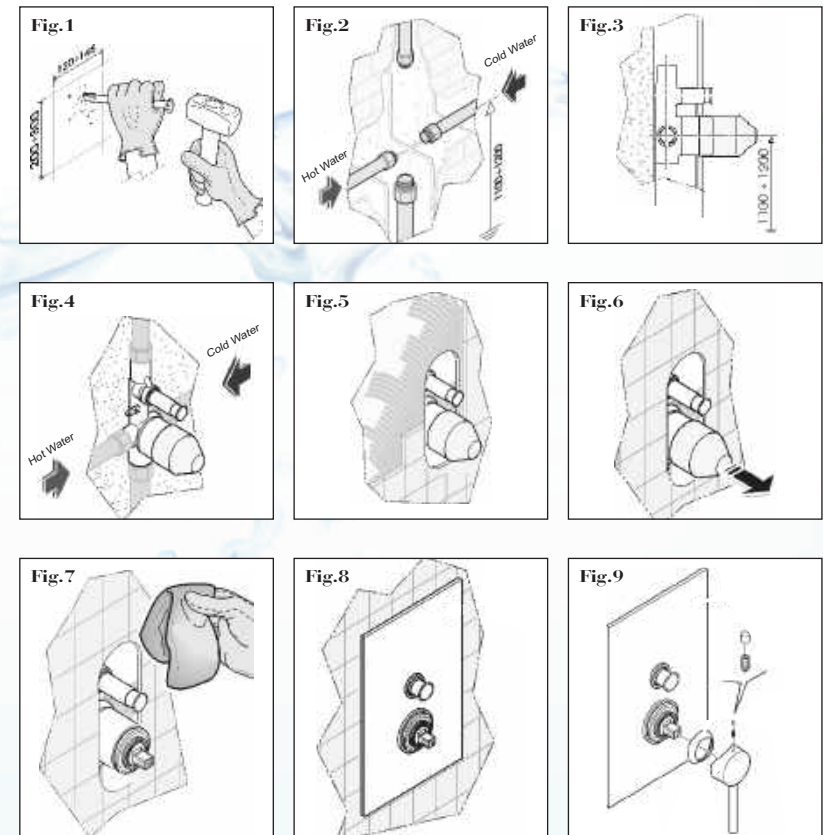
SECTION VIEW



INSTALLATION PROCEDURE

1. Create a space in the wall to easily accommodate and conceal the Single Lever Divertor body (Fig. 1) vertically.
2. Fix the hot water pipe to the lower left hand side and cold water to the right side of the diverter (Height from ground level can be kept 1100 to 1200 mm) (Fig. 2, 3 & 4)
3. Fix the water outlet pipes. (As shown in Fig.2 & 4)
4. Insert the concealed part along with protective casing in the cavity. (Keep position of diverter vertical with Tip Ton facing the top as shown in Fig.3)
5. To avoid impurities and deposits from entering the mixer, flush the piping properly before connecting the supply pipes.
6. If possible ensure that there is no leakage in any of the joints before covering the pit with cement and tiles. The surface of the finished wall with tiles should fall within the required diverter flange adjustment limit. (As shown in Fig.5)
7. Remove the protection after the tiling work has been completed. (As shown in Fig.6)
8. Remove any filth on the surface of the single lever mixer. (As shown in Fig.7)
9. Mount the Flange, Lever and Tip Ton Top Button (Fig. 8 & 9)

INSTALLATION DIAGRAM TWO WAY DIVERTER



MAINTENANCE INSTRUCTIONS

Cartridge Side:

1. Remove the Plastic Cover Part No. 12 fixed on the Handle Part No. 10.
2. Loosen the Grub Screw Part No. 11 using a allen key.
3. Pull out and remove Handle Part No. 10.
4. Remove the Tip Ton Button Part No. 27 by rotating it in the anticlockwise direction.
5. Remove Flange Part No. 9 along with Flange Rubber Bush Part Nos. 8 & 25.
6. Rotate the Dome Cap Part No. 7 in the anticlockwise direction to remove it.
7. Unscrew the Cartridge Lock Nut Part No. 6 rotating it anticlockwise.
8. Now we can remove the 46mm S/L cartridge Part No. 3 for inspection/replacement.

Tip Ton Upper Side:

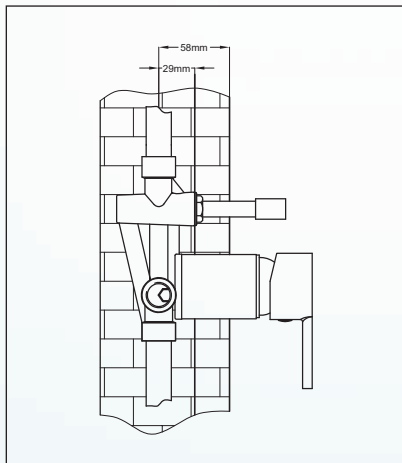
1. Remove the Tip Ton Top Button Part No. 27 by rotating it in the anticlockwise direction.
2. Remove the Tip Ton Sleeve Part No. 26.
3. Loosen the Tip Ton bonnet Part No. 21 in the anticlockwise direction and remove it.
4. The parts for Inspection / Replacement are :
 - Tip Ton seat washer Part No. 15.
 - Bonnet lower 'O' Ring Part No. 19.

Tip Ton Lower Side:

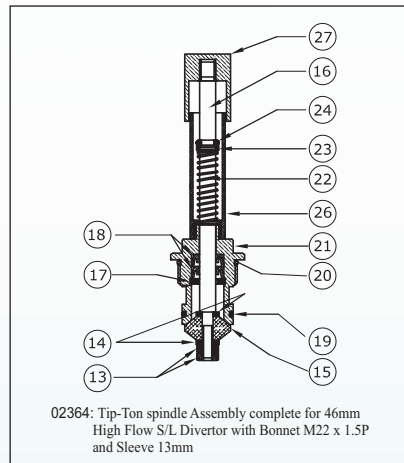
1. Remove the spring lock ring Part No. 24.
2. Remove Nylon Washer Part No. 23 and Spring Part No. 22.
3. Unscrew the seat washer lock nuts Part No. 13.
4. Pull out the Tip Ton rod Part No. 16 from the bonnet.
5. The following parts will be required for inspection/replacement:
 - Nylon locking circlip for bockey washer Part No. 17.
 - Rubber bockey bonnet washers for spindle sealing Part No. 18.

Note: Reassembly of the Cartridge Side and Tip Ton sides will be done in the reverse order.

FLANGE ADJUSTMENT



TIP TON ASSEMBLY COMPLETE



LAYOUT OF SINGLE LEVER DIVERTER

